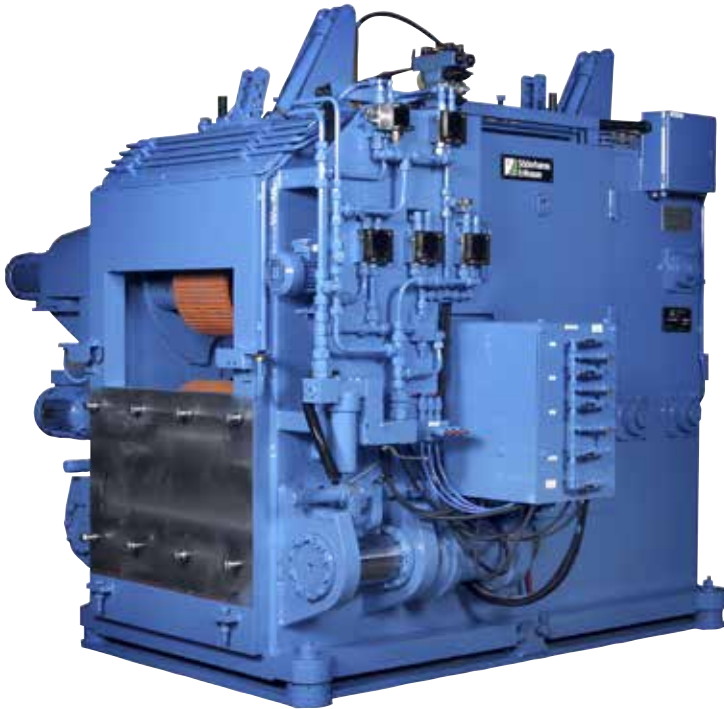
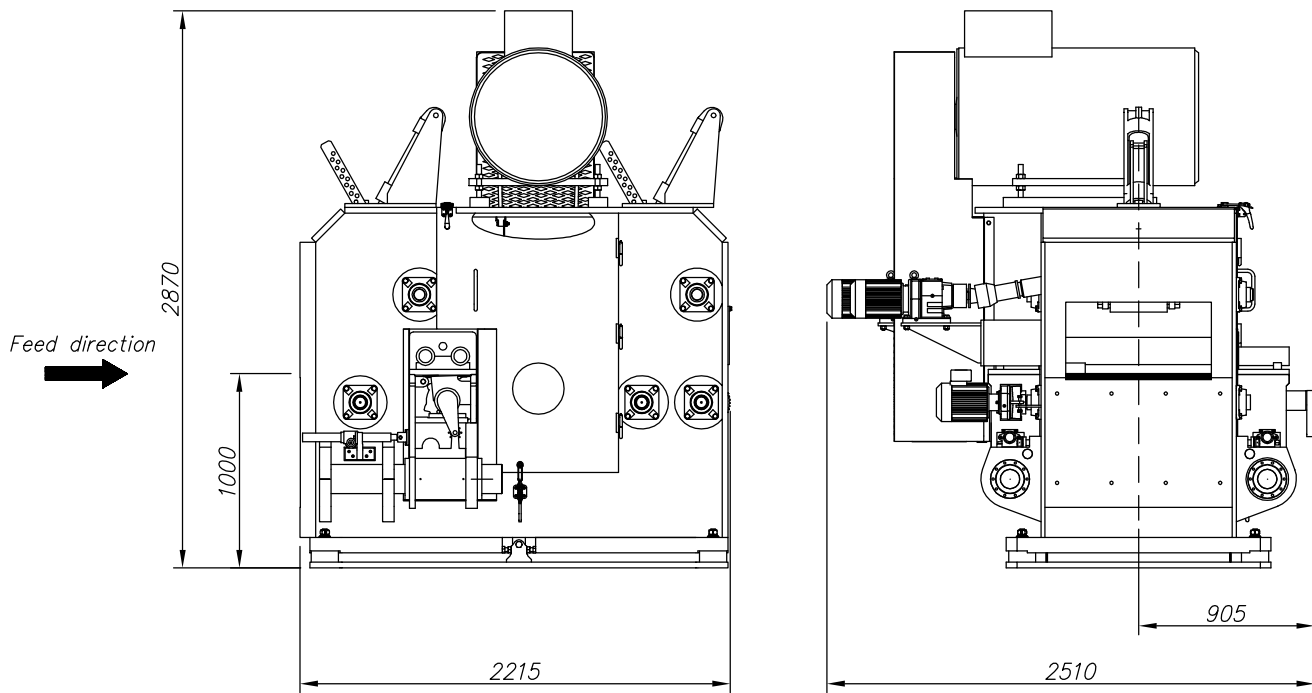


# Circular saw 700



## A new generation circular cant breakdown

Circular Saw 700 sets a new standard for single arbor guided cant breakdown saws. The 700 has the features that takes it a leap ahead of the rest – a unique saw guide system for instant tool change, up to 6 individually shifting saws, cant guides controlled by hydraulic linear positioners at the saws, individual feed roller drive, adjustable saw guide position for a variety of saw diameters, climb- or power cutting saws, to mention a few. For you this will mean a more accurate product, better recovery, more uptime, less maintenance and - it will reward you with the highest possible income, of course.



## Circular saw 700 TECHNICAL SPECIFICATIONS

Feed speed, max.	150 m/min
Max. cant size (W×H)	400×265 mm
Min. cant size (W×H)	75×75 mm
Saw diameter	500–700 mm
Main motor, max.	315 kW
Feedwork motors	4×3 kW
Weight	12 000 kg

These data are approximate and given without obligation.

