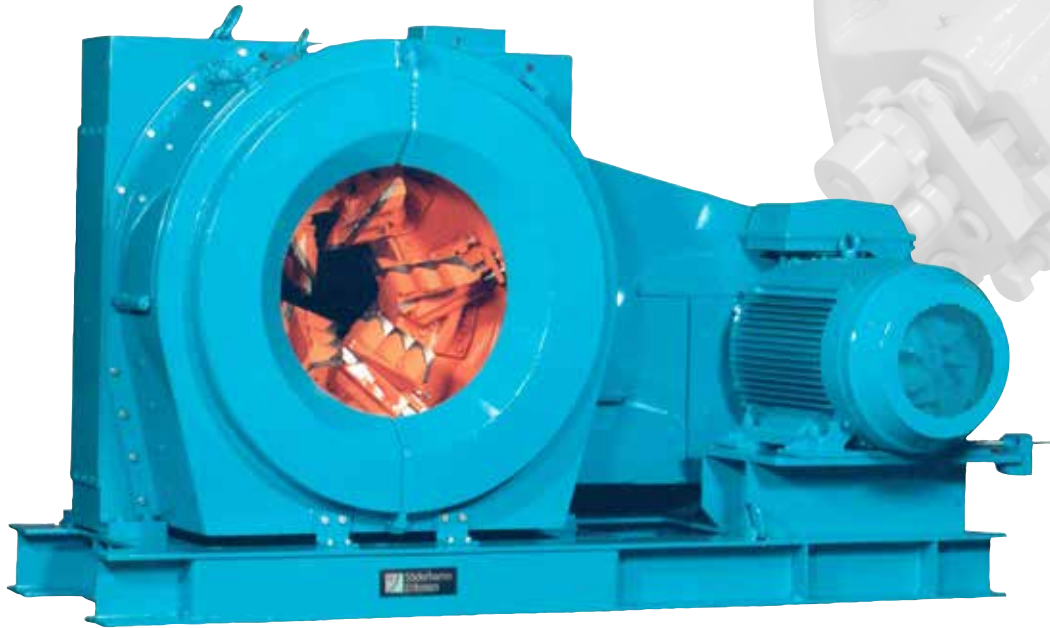
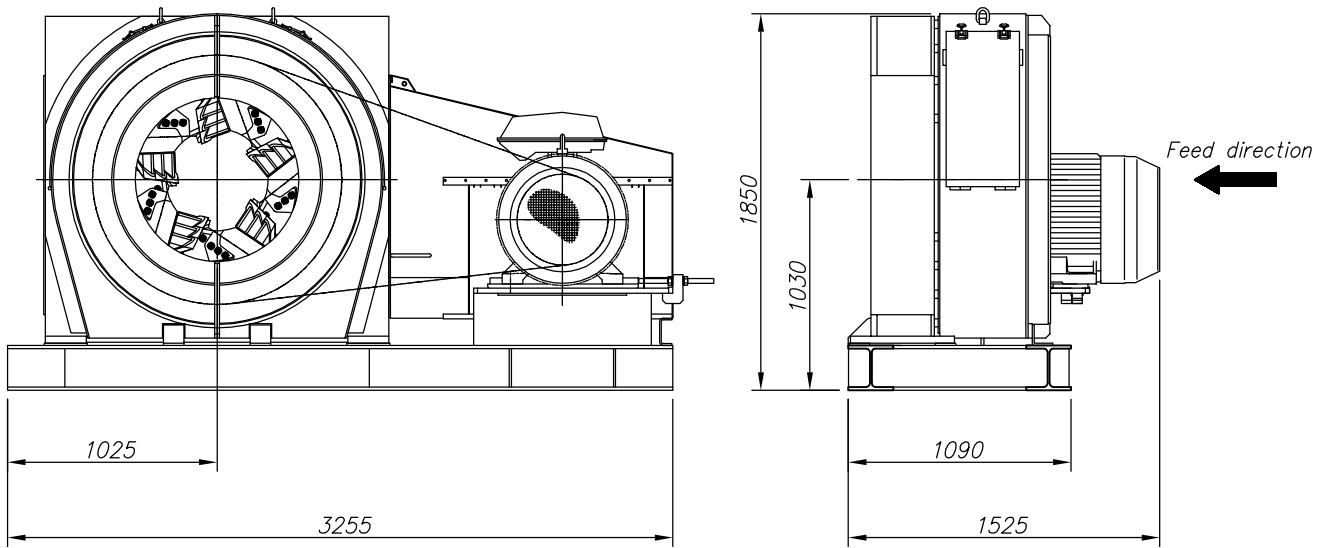


CamTrim



The best round reducer on the market!

CamTrim is integrated in the debarking line, which simplifies the log handling into the sawmill. When root swellings and other irregularities are removed, both conveyance and aligning will be safer. The log flow will be more continuous and you avoid unnecessary interruptions. CamTrim is continuously adjustable to the desired measurement between a minimum of \varnothing 200 mm and a maximum of \varnothing 480 mm. The adjustment takes about 3–4 minutes. The unique design of the cutting knives allows very high feeding speeds, in line with the modern sawmill's requirement for high capacity.



CamTrim TECHNICAL SPECIFICATIONS

Max log diameter, reduced	480 mm
Max log diameter, unreduced	780 mm
Min log diameter, reduced	200 mm
Rotor motor	160–200 kW*
Compressed air supply	10 l/min
Weight	6000 kg

*adapted to maximum feed speed

These data are approximate and given without obligation.

